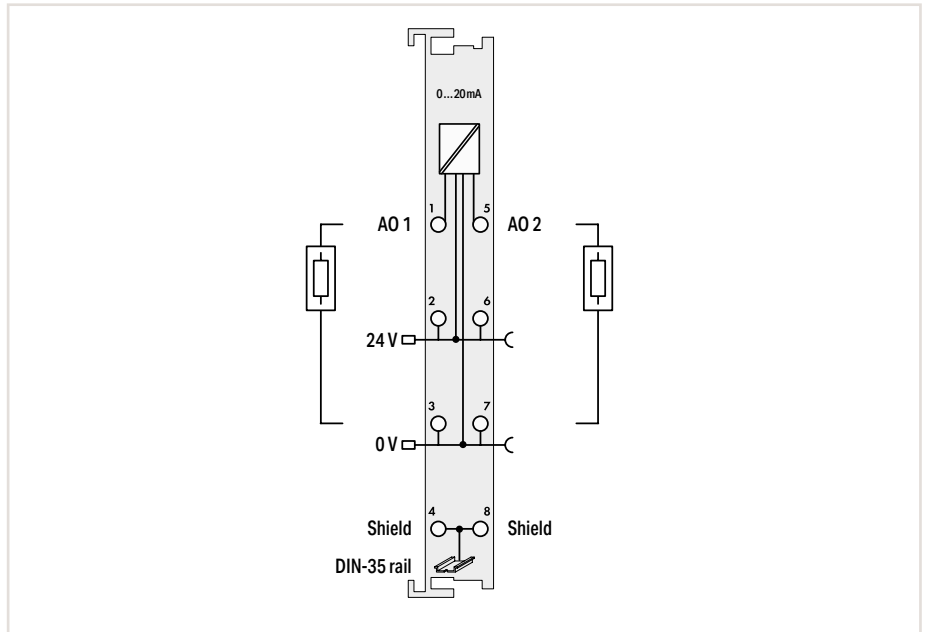


## Analog Output; 0 ... 20 mA



Figure: 750-552

Figure: 753-552



Item Description		2-Channel Analog Output; 0 ... 20 mA			
Version		Standard	Extended temperature	Pluggable (delivery without connector)	Data Format (S5 Control)
Item No.		750-552	750-552/025-000	753-552	750-552/000-200
Order Text		2AO; 0-20mA	2AO; 0-20mA; T	2AO; 0-20mA	2AO; 0-20mA; S5

Technical Data	
Pluggable connector	•
Customized data format for S5 control*	•
Number of analog outputs	2
Signal type	0 ... 20 mA
Actuator connection	2-wire
Load impedance	< 600 Ω
Resolution	12 bits
Conversion time	Approx. 2 ms
Output error (max.) at 25 °C	±0.1 % of the upper-range value
Temperature error (max.)	±0.01 % of the upper-range value
Supply voltage (field)	24 VDC (-25 ... +30 %); via power jumper contacts (power supply via blade contact; transmission via spring contact)
Current consumption – system supply (5 V)	70 mA
Data width	2 x 16-bit data; 2 x 8-bit control/status (optional)
Isolation	500 V (system/field)
Surrounding air temperature (operation)	0 ... +55 °C      -20 ... +60 °C      0 ... +55 °C
Dimensions W x H x D	12 x 69.8 x 100 mm
Approvals	CE; Marine; OrdLoc/HazLoc; ATEX/IECEX

Accessories		Item No.
Pluggable connector		753-110
Coding keys		753-150

\*The S5 format allows you to import data with the standard S5 FB 250 function block.